

# Novell iFolder

1.0

[www.novell.com](http://www.novell.com)

ADMINISTRATION GUIDE



**N**

**Novell®**

## Legal Notices

Novell, Inc. makes no representations or warranties with respect to the contents or use of this documentation, and specifically disclaims any express or implied warranties of merchantability or fitness for any particular purpose. Further, Novell, Inc. reserves the right to revise this publication and to make changes to its content, at any time, without obligation to notify any person or entity of such revisions or changes.

Further, Novell, Inc. makes no representations or warranties with respect to any software, and specifically disclaims any express or implied warranties of merchantability or fitness for any particular purpose. Further, Novell, Inc. reserves the right to make changes to any and all parts of Novell software, at any time, without any obligation to notify any person or entity of such changes.

This product may require export authorization from the U.S. Department of Commerce prior to exporting from the U.S. or Canada.

Copyright © 2001 Novell, Inc. All rights reserved. No part of this publication may be reproduced, photocopied, stored on a retrieval system, or transmitted without the express written consent of the publisher.

Patents Pending.

Novell, Inc.  
1800 South Novell Place  
Provo, UT 84606  
U.S.A.

[www.novell.com](http://www.novell.com)

Novell iFolder 1.0  
June 2001

**Online Documentation:** To access the online documentation for this and other Novell products, and to get updates, see [www.novell.com/documentation](http://www.novell.com/documentation).

## **Novell Trademarks**

ConsoleOne is a trademark of Novell, Inc.

eDirectory is a trademark of Novell, Inc.

iFolder is a trademark of Novell, Inc.

NetWare is registered trademark of Novell, Inc. in the United States and other countries.

Novell is a registered trademark of Novell, Inc. in the United States and other countries.

Novell Directory Services and NDS are registered trademarks of Novell, Inc. in the United States and other countries.

## **Third-Party Trademarks**

All third-party trademarks are the property of their respective owners.

RSA Data Security is a trademark of RSA Data Security, Inc.





# Contents

<b>Contents</b>	<b>5</b>
<b>1 Welcome to Novell iFolder 1.0</b>	<b>7</b>
What Is Novell iFolder? . . . . .	8
<b>2 Installing Novell iFolder on NetWare 5.1</b>	<b>11</b>
Server Requirements. . . . .	11
Client Workstation Requirements . . . . .	12
Browser Requirements. . . . .	12
Installing Novell iFolder . . . . .	12
<b>3 Installing Novell iFolder on Windows NT 4.0 or Windows 2000</b>	<b>17</b>
Server Requirements. . . . .	17
Client Workstation Requirements . . . . .	18
Browser Requirements. . . . .	18
Installing Novell iFolder . . . . .	18
Configuring the iFolder Web Site on Windows NT 4 . . . . .	21
Configuring the iFolder Web Site on Windows 2000 . . . . .	22
<b>4 Installing Novell iFolder on NetWare Cluster Services</b>	<b>23</b>
Post Installation Tasks . . . . .	24
<b>5 Using Novell iFolder</b>	<b>27</b>
Managing Novell iFolder Accounts . . . . .	27
Using the Server Management Console . . . . .	28
Removing an iFolder Account . . . . .	29
Restoring a User's Folder . . . . .	29
Changing LDAP Settings . . . . .	29
Optimizing Your iFolder Server . . . . .	29



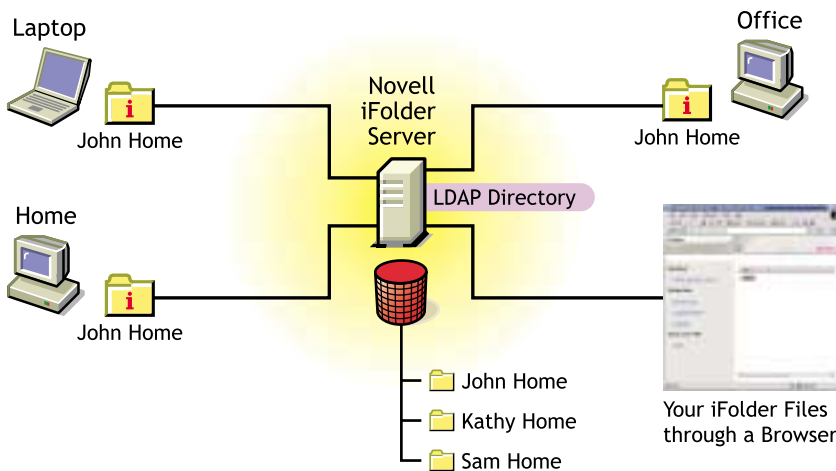
# 1

## Welcome to Novell iFolder 1.0

Novell® iFolder™ gives you automatic, secure, and transparent synchronization of files between your hard drive and the iFolder server, which results in easy access to personal files anywhere, anytime.

Being able to access your files from any computer from any location eliminates the editing mistakes and menial updating tasks that frequently occur when your local machine is not accessible from different access points.

The following figure illustrates how the iFolder server is accessed from different computers or locations.



# What Is Novell iFolder?

There are three components to Novell iFolder:

- ◆ iFolder client software

Novell iFolder is compatible with Windows\* 95, 98, 2000, NT, and ME workstations.

The iFolder client must be installed on every workstation that you will use to access your iFolder files. Once the iFolder client is installed, it places a shortcut on your desktop to your iFolder directory, located in My Documents\iFolder\userid\Home and it also installs the iFolder icon in the system tray.

The iFolder icon looks like this:



The iFolder directory, located on your computer's hard drive, is where you will keep your files. Once a file is placed in the iFolder directory and synchronized out to the iFolder server, you can see it from all workstations that you are logged in to that have the iFolder client installed. Applications associated with the files in the iFolder directory must be installed at the local workstation. For example, if you have a Microsoft\* Word document in your iFolder directory, you need to have the application installed on your workstation in order to access that file. Any changes that are made in this directory, from any workstation, are uploaded to the iFolder server. The frequency of the uploading can be determined by either the user or the network administrator.

When you right-click the iFolder icon located in the system tray, you get a menu giving you access to your iFolder preferences and an activity status screen displaying what transactions are taking place between the client workstation and the iFolder server. The activity screen can also be accessed by double-clicking the iFolder icon. If the iFolder client is in the process of downloading files from the iFolder server to your computer, the icon will look like a folder with a blinking down-arrow.

When you log in, iFolder asks you for a username and a password. Next, iFolder prompts you for a pass phrase. This pass phrase is used to encrypt files that are uploaded or downloaded to the server.

- ◆ iFolder server software



iFolder runs on NetWare® 5.1, Windows NT\* 4.0, and Windows 2000 servers.

Once you have installed the iFolder server software on your server, you can access the Server Management Console and the default iFolder Web site.

From the Server Management Console, you can perform administrative tasks for all your iFolder user accounts. The iFolder Web site is the place where the iFolder client software can be downloaded. It is also where you can access the Java\* applet and view your iFolder files from a browser. The iFolder Web site is meant to be customized to fit your company's look, feel, and business needs.

- ◆ iFolder Java applet

The iFolder Java applet runs in Internet Explorer or Netscape\*. From the browser, you can access your iFolder files from a computer that does not have the iFolder client installed.

These three pieces work together seamlessly to provide you with instant access to any iFolder files stored on your hard drive from anywhere in the world.

If you are installing Novell iFolder on NetWare 5.1, follow the instructions in Chapter 2, "Installing Novell iFolder on NetWare 5.1," on page 11.

If you are installing Novell iFolder on Windows NT 4.0 or Windows 2000, follow the instructions in Chapter 3, "Installing Novell iFolder on Windows NT 4.0 or Windows 2000," on page 17.

If you are installing Novell iFolder on NetWare Cluster Services, follow the instructions in Chapter 4, "Installing Novell iFolder on NetWare Cluster Services," on page 23.



# 2

## Installing Novell iFolder on NetWare 5.1

Before you begin the iFolder installation, make sure that you have met the following iFolder™ server, client, and browser requirements.

### Server Requirements

- NetWare® 5.1 server with Support Pack 3 loaded.

NetWare support packs are available at the Consolidated Support Pack Home Page (<http://support.novell.com/csp/csplist.html>).

- An LDAP v3 enabled directory, such as NDS® eDirectory™ 8.5. (Other LDAP v3 compliant directories will also work.)

If you are using the same server for LDAP and iFolder, you need to install NDS eDirectory 8.5 or later on your server.

- 10 MB of free space on the SYS: volume where you plan to install iFolder.
- 256 MB of RAM.
- If you want to have LDAP over SSL, you need to copy your LDAP server's Root Certificate to your iFolder server.
  - ◆ For NetWare, go to the SYS:PUBLIC directory of your LDAP server and copy the LDAP Root Certificate, ROOTCERT.DER, to your iFolder server.
  - ◆ For other operating systems, you will need to export the LDAP server's root certificate and then copy it to your iFolder server.
- If you have a DNS name configured for your iFolder server, verify that the DNS name and its corresponding IP address are in the SYS:ETC\Hosts file of your iFolder server.

# Client Workstation Requirements

Novell® iFolder is compatible with Windows 95, 98, 2000, NT, and ME workstations. The iFolder client is very small and will take only about 2 MB of free space on your workstation.

**IMPORTANT:** If you are installing the iFolder client on a Windows 95 workstation, you must have the Winsock 2 update from Microsoft installed. This update can be downloaded from ([http://www.microsoft.com/Windows95/downloads/contents/WUAdminTools/S\\_WUNetworkingTools/W95Sockets2/Default.asp](http://www.microsoft.com/Windows95/downloads/contents/WUAdminTools/S_WUNetworkingTools/W95Sockets2/Default.asp)).

## Browser Requirements

You can use either Netscape 4.7 or later or Internet Explorer 5 or 5.5 to download the iFolder client. Netscape 6 is not supported with this release.

**IMPORTANT:** Although you can use either Netscape or Internet Explorer (IE) to download the iFolder client, IE 5 or 5.5 must be installed on every workstation where you plan to install the iFolder client.

## Installing Novell iFolder

Novell iFolder uses the Apache Web server version 1.3.20. Apache uses port 80, which happens to be the same port that NetWare Enterprise Web server (the default NetWare Web server) uses. In order to run the Apache Web server, you must unload the NetWare Enterprise Web server before you can install iFolder. If you want to run both the Apache Web server and the NetWare Enterprise Web server, you must set the secondary IP address prior to the iFolder installation and assign either the Apache or Enterprise Web server to that secondary IP address.

- 1** On your workstation, map a Novell drive to the SYS: volume on the server where you plan to install iFolder and Apache.

**IMPORTANT:** Apache *must* be installed on the SYS: volume.

- 2** Locate the iFolder software that you downloaded and double-click the iFolder Apache server executable (ApacheiFolderServer.EXE) for NetWare.
- 3** Read the Welcome screen and click Next.
- 4** Click Yes to accept the licensing agreement.
- 5** Enter your username and the name of your company, and then click Next.

**6** Browse to the drive letter that you mapped in Step 1 and then click Next.

**HINT:** In order to install Novell iFolder on multiple servers from the same workstation, you must delete the directory that represents your last installation. To do this, go to C:\Program Files\Installshield Installation Information. If there are multiple directories, look at their creation timestamps and delete the one that was created at the time that you performed your last installation. After you delete this directory, you should be able to install Novell iFolder on another server from the same workstation.

**7** (Conditional) If Apache is already installed on your server, the iFolder install shield will ask you to choose one of the following options and then click Next:

- ◆ Overwrite the existing Apache installation on your server and install Apache *and* iFolder.
- ◆ Leave the existing Apache installation on your server and install only iFolder.
- ◆ Exit the install.

**8** (Conditional) If you chose to overwrite an existing Apache installation, or if Apache is not installed on your server, you will be prompted to enter the DNS name of the server, the IP address of the server, and your e-mail address, and then click Next.

**9** Enter the IP address of your LDAP server in the LDAP Host field.

**10** Enter the LDAP port you want to use.

If you are using port 389, the LDAP Group object must be marked to Allow Clear Text Passwords. To verify this, launch ConsoleOne™ and locate the context where your server resides, right-click the LDAP Group object, click Properties, and make sure the Allow Clear Text Passwords check box is checked.

**HINT:** Choose port 389 if you want to use LDAP without SSL encryption or if your LDAP server does not support SSL. Port 389 is also a good choice if iFolder and LDAP are running on the same server (no communication or data is being transferred across the wire, so no encryption is necessary).

Choose port 636 if you want to use SSL, which provides your network with encryption and security when data is transferred across the wire. If you choose port 636, make sure you have copied the ROOTCERT.DER file from your LDAP server's SYS:PUBLIC directory to your iFolder server prior to the iFolder installation.

**11** If you have chosen port 636, enter the path to the LDAP Root Certificate.

This will be the path to the place where you copied the ROOTCERT.DER prior to the installation. For more information, see “Server Requirements” on page 11.

**12** Enter the LDAP login DN context.

This is the context of the container where your User objects are located.

iFolder allows you to enter multiple contexts. After each context, insert a semicolon. Do not put any spaces between the contexts.

**13** (Optional) If you want iFolder to search all subcontainers below the specified LDAP login DN context, make sure you check the Subcontainer Search check box.

**14** (Conditional) If you are doing a subcontainer search, you must assign the CN property to the Public object or create an LDAP proxy user.

**IMPORTANT:** Any rights assigned to the Public object are automatically inherited by all other objects in the NDS tree. You might not want to assign the CN property to the Public object if these rights will cause a security risk. If your iFolder server is outside the firewall and you do not want the CN property assigned to all objects in your NDS tree, you can also use an LDAP Proxy Username to search the subcontainers of your tree.

To assign the CN property to the Public object, follow these instructions:

**14a** Launch ConsoleOne.

**14b** Right-click your NDS Tree object and then click Properties.

**14c** Click NDS Rights > Public object > Assigned Rights > Add Property.

**14d** Check the Show All Properties check box, select the CN property from the list, and then click OK.

**14e** Check the Inheritable check box. > Apply.

**14f** Click Apply > OK.

To create an LDAP proxy user, follow these instructions:

**14g** Launch ConsoleOne.

**14h** Create a user without a password.

**14i** Right-click your NDS tree object and then click Properties > NDS Rights > Add Trustee.

**14j** Browse to your NetWare server, select the LDAP Group object, and click Apply > OK.

**HINT:** When you add this user as a trustee of the tree, just accept the default Browse, Compare, and Read rights.

**14k** Right-click the LDAP Group object and then click Properties > General.

- 14l** Click the Browse button next to the Proxy Username field and browse to the user that you just gave trustee rights to.
- 14m** Double-click the user so that the name appears in the Proxy Username field.
- 14n** Click Apply > OK.
- 15** Click Next in the iFolder setup.
- 16** (Conditional) If you are using a secondary LDAP server, enter the LDAP information for that server.
- Fill in this information only if you have two LDAP directories that contain usernames that need iFolder accounts. For example, suppose you have one LDAP directory that contains all your employee usernames and another LDAP directory that contains all your vendor usernames and you want the users from both directories to have iFolder accounts. You would enter the information for a secondary LDAP server.
- 17** Enter the path to the directory where you want the iFolder user data to be stored on the server.
- 18** Enter the names of all the administrators who need rights to modify iFolder user account information via the Server Management Console and then click Next.

If you are entering more than one name, separate the usernames with a semicolon. For example, if you wanted users jsmith and admin to have rights to administer the Server Management Console, you would enter **admin;jsmith**.

- 19** If prompted, enter the IP address or the DNS name of your server and then click Next.
- 20** Click Finish to complete the installation.
- 21** Do one of the following:
- ♦ If you are only using one IP address, to start Novell iFolder, you can reboot your server (this will run the edited AUTOEXEC.NCF) or enter the following commands at the server console:  

```
search add sys:\Apache  
search add sys:\Apache\iFolder\Server  
STARTIFOLDER
```

- ◆ If you are using two IP addresses, edit the AUTOEXEC.NCF file and enter the following lines after the **search add sys:\Apache\iFolder\Server** command line:

```
set command line prompt default choice=on  
set command line prompt time out=60
```

Also enter ? in front of the STARTIFOLDER command line.

Once you have edited the AUTOEXEC.NCF, to start Novell iFolder, you can reboot your server (this will run the edited AUTOEXEC.NCF) or enter the following commands at the server console:

```
search add sys:\Apache  
search add sys:\Apache\iFolder\Server  
STARTIFOLDER
```

Novell iFolder is now installed on your NetWare 5.1 server. To learn more about Novell iFolder, go to Chapter 5, “Using Novell iFolder,” on page 27.



# 3

## Installing Novell iFolder on Windows NT 4.0 or Windows 2000

Before you begin the iFolder installation, make sure that you have met the following iFolder™ server, client, and browser requirements.

### Server Requirements

- A Windows NT 4.0 server with Service Pack 6A or later loaded or a Windows 2000 server with Service Pack 1 loaded.

Microsoft Service Packs are available at the ZDNET Web site ([http://updates.zdnet.com/products/pr\\_13616.htm](http://updates.zdnet.com/products/pr_13616.htm)).

- IIS 4 or later installed.
- An LDAP v3 enabled directory, such as NDS® eDirectory™ 8.5. (Other LDAP v3 compliant directories will also work.)
- 256 MB of RAM.
- If you want to have LDAP over SSL encryption when the iFolder server communicates with the LDAP server
  - ◆ For NetWare, go to the SYS:PUBLIC directory of your LDAP server and copy the LDAP Root Certificate, ROOTCERT.DER, to your iFolder server.
  - ◆ For other operating systems, you will need to export the LDAP server's root certificate and then copy it to your iFolder server.
- Get an SSL certificate and install it into your iFolder server.

You can do this either of two ways: 1) If you have your own certificate server, you can get a certificate from your server, or 2) You can go to a certificate vendor, such as Entrust\* or VeriSign\*, and purchase a certificate from them.

For more information on installing and creating SSL certificates for IIS 4, go to the Microsoft Product Support Services Web site (<http://support.microsoft.com/support/kb/articles/Q228/9/91.ASP>).

For information on SSL certificates for IIS 5, go to the Microsoft Product Support Services Web site (<http://support.microsoft.com/support/kb/articles/Q228/9/91.ASP>).

## Client Workstation Requirements

Novell® iFolder is compatible with Windows 95, 98, 2000, NT, and ME workstations. The iFolder client is very small and will take only about 2 MB of free space on your workstation.

**IMPORTANT:** If you are installing on a Windows 95 workstation, you must have the Winsock 2 update from Microsoft installed. This update can be downloaded from ([http://www.microsoft.com/Windows95/downloads/contents/WUAdminTools/S\\_WUNetworkingTools/W95Sockets2/Default.asp](http://www.microsoft.com/Windows95/downloads/contents/WUAdminTools/S_WUNetworkingTools/W95Sockets2/Default.asp)).

## Browser Requirements

You can use either Netscape 4.7 or later or Internet Explorer 5 or 5.5 to download the iFolder client. Netscape 6 is not supported with this release.

**IMPORTANT:** Although you can use either Netscape or Internet Explorer (IE) to download the iFolder client, IE 5 or 5.5 must be installed on every workstation where you plan to install the iFolder client.

## Installing Novell iFolder

- 1** Stop the Internet Information Server (IIS).
  - ◆ For Windows NT 4, go to Control Panel > Services > IIS Admin Services > Stop.
  - ◆ For Windows 2000, go to Control Panel > Administrative Tools > Services > IIS Admin Service > Stop.
- 2** Locate the iFolder software that you downloaded and double-click the iFolder IIS server executable (IISiFolderServer.EXE) for Windows NT 4.0/2000.
- 3** Read the Welcome screen and click Next.
- 4** Click Yes to accept the licensing agreement.

- 5 Enter your username and the name of your company, and then click Next.
- 6 Browse to the location where you want iFolder to install the setup files and then click Next.
- 7 Enter the IP address of your LDAP server in the LDAP host field.
- 8 Enter the LDAP port you want to use.

if you are using port 389, the LDAP group object must be marked to Allow Clear Text Passwords. To verify this, launch ConsoleOne and locate the context where your server resides, right-click the LDAP Group object, click Properties, and make sure the Allow Clear Text Passwords check box is checked.

**HINT:** Choose port 389 if you want to use LDAP without SSL encryption. Port 389 is also a good choice if LDAP and iFolder are running on the same server or if your LDAP server does not support Secure Socket Layer (SSL).

Choose port 636 if you want to use SSL, which provides your network with encryption and security when data is transferred across the wire. If you choose port 636, you must create and install an SSL certificate for your iFolder server prior to the iFolder installation. For more information, see “Server Requirements” on page 17.

- 9 If you have chosen port 636, enter the path to the LDAP Root Certificate.

This will be the path to the place where you copied the SSL certificate prior to the installation. For more information, see “Server Requirements” on page 17.

- 10 Enter the LDAP login DN context.
- 11 Enter the context of the container where your User objects are located.

This is the context of the container where your User objects are located.

iFolder allows you to enter multiple contexts. After each name, insert a semicolon. Do not put any spaces between the names.

- 12 (Optional) If you want iFolder to search all subcontainers below the LDAP login DN context, make sure you check the Subcontainer Search check box.

- 13 (Conditional) If you are doing a subcontainer search, you must assign the CN property to the Public object or create an LDAP proxy user.

**IMPORTANT:** Any rights assigned to the Public object are automatically inherited by all other objects in the NDS tree. You might not want to assign the CN property to the Public object if these rights will cause a security risk. If your iFolder server is outside the firewall and you do not want the CN property assigned to all objects

in your NDS tree, you can also use an LDAP Proxy Username to search the subcontainers of your tree.

To assign the CN property to the Public object, follow these instructions:

- 13a** Launch ConsoleOne.
- 13b** Right-click your NDS Tree object and then click Properties.
- 13c** Click NDS Rights > Public object > Assigned Rights > Add Property.
- 13d** Check the Show All Properties check box, select the CN property from the list, and then click OK.
- 13e** Check the Inheritable check box.
- 13f** Click Apply > OK.

To create an LDAP proxy user, follow these instructions:

- 13g** Launch ConsoleOne.
- 13h** Create a user without a password.
- 13i** Right-click your NDS tree object and click Properties > NDS Rights > Add Trustee.
- 13j** Browse to your NetWare server, select the LDAP Group object, and click Apply > OK.

**HINT:** When you add this user as a trustee of the tree, just accept the default Browse, Compare, and Read rights.

- 13k** Right click the LDAP Group object and then click Properties > General.
- 13l** Click the Browse button next to the Proxy Username field and browse to the user that you just gave trustee rights to.
- 13m** Double-click the user so that the name appears in the Proxy Username field.
- 13n** Click Apply > OK.

**14** Click Next in the iFolder setup.

**15** (Conditional) If you are using a secondary LDAP server, enter the LDAP information for that server.

Fill in this information only if you have two LDAP directories that contain usernames that need iFolder accounts. For example, supposed you have one LDAP directory that contains all your employee usernames and another LDAP directory that contains all your vendor usernames and

you want the users from both directories to have iFolder accounts. You would enter the information for a secondary LDAP server.

- 16** Enter the path to the directory where you want the iFolder user data to be stored on the server.
- 17** Enter the names of all the administrators who need rights to modify iFolder user account information via the Server Management Console and then click Next.

If you are entering more than one name, separate the usernames with a semicolon. For example, if you wanted John Smith and user admin to have rights to administer the Server Management Console, you would enter **admin;jsmith**.

- 18** If prompted, enter the IP address or the DNS name of your server.
- 19** Click Finish to complete the installation.
- 20** Restart the IIS server.

Once Novell iFolder is installed, you have a few things left to configure through the Internet Services Manager in order for the iFolder Web site and the Java applet to work correctly.

If your iFolder server is running Windows NT 4.0, follow the instructions in “Configuring the iFolder Web Site on Windows NT 4” on page 21.

If your iFolder server is running Windows 2000, follow the instructions in “Configuring the iFolder Web Site on Windows 2000” on page 22.

## Configuring the iFolder Web Site on Windows NT 4

- 1** Launch the Internet Services Manager by clicking Start > Windows NT 4.0 Option Pack > Microsoft Internet Information Server > Internet Service Manager.
- 2** Right-click the Default Web Site icon and then click Properties > Home Directory.
- 3** Set the local path.

For example, if you installed iFolder on your C: drive, then you would enter

```
C:\inetpub\wwwroot\iFolder\DocumentRoot
```

**HINT:** Enter this path in exactly as you see it, except for the drive letter. What drive letter you enter depends on where you installed iFolder.

- 4 From the Permissions drop-down box, select Script.
- 5 Click Documents.
- 6 Check the Enable Default Documents check box and then click Add.
- 7 Enter **index.html** into the text field and click OK.

Go to “Managing Novell iFolder Accounts” on page 27.

## Configuring the iFolder Web Site on Windows 2000

- 1 Launch the Internet Services Manager by clicking Start > Settings > Control Panel > Administrative Tools > Internet Services Manager.
- 2 Right-click the Default Web Site icon and click Properties > Home Directory.
- 3 Set the local path.

For example, if you installed iFolder on your C: drive, then you would enter

```
C:\inetpub\wwwroot\iFolder\DocumentRoot
```

**HINT:** Enter this path in exactly as you see it, except for the drive letter. What drive letter you enter depends on where you installed iFolder.

- 4 Check the Script Source Access check box.
- 5 From the Execute Permissions drop-down box, select Scripts Only.
- 6 Click the Documents tab.
- 7 Check the Enable Default Documents check box.
- 8 Click the Add button.
- 9 Enter **index.html** into the text field and click OK.

Novell iFolder is now installed on your Windows NT 4.0/2000 server. For more information about Novell iFolder, go to Chapter 5, “Using Novell iFolder,” on page 27.

# 4

## Installing Novell iFolder on NetWare Cluster Services

Before you set up Novell® iFolder™ on NetWare Cluster Services, you should already have a basic understanding of how NetWare Cluster Services works. A short overview is provided in the *NetWare Cluster Services Overview and Installation Guide* (<http://www.novell.com/documentation/lg/ncs/index.html>).

**NOTE:** Novell Clustering Services does not run on Windows NT/2000.

To configure Novell iFolder on NetWare® Cluster Services, complete the following steps:

- 1** Meet the iFolder NetWare server, client, and browser requirements.  
Follow the instructions beginning with “Server Requirements” on page 11.
- 2** Install iFolder on all NetWare servers in the cluster that you want to run iFolder.  
Follow all steps of the procedure in “Installing Novell iFolder” on page 12.

Once iFolder is installed on your clustered NetWare server, continue with the next section, Post Installation Tasks.

# Post Installation Tasks

- 1** Create an NSS volume on your shared storage disk system, commonly referred to as a storage area network or SAN.

This is the volume that will contain all your iFolder user data and accounts. The size of this volume will vary according to how many iFolder users you plan to have and the amount of data they will be storing.

For more information, see NetWare Cluster Services (<http://www.novell.com/documentation/lg/ncs/index.html>) > Installation and Setup > Setting Up NetWare Cluster Services > Create Cluster Volumes.

- 2** Cluster-enable the NSS volume that you just created.

This involves assigning an IP address to the cluster-enabled volume. Remember this IP address; you'll need it later.

For more information, see NetWare Cluster Services (<http://www.novell.com/documentation/lg/ncs/index.html>) > Installation and Setup > Setting Up NetWare Cluster Services > Create Cluster-Enabled Volumes.

- 3** Create a folder on the cluster-enabled volume.

- 4** Choose one iFolder server in the cluster and go to the SYS:Apache\iFolder\Server directory and edit the HTTPD.CONF file to include the following parameters:

- ◆ Set the LDAP host to the IP address that you assigned to the cluster-enabled volume.
- ◆ Set the iFolderServerRoot to the folder that you created on the cluster-enabled volume.

For example, if your cluster-enabled volume was called SHAREDVOL and you had created a folder on that volume called NIFDIR, you would set the iFolderServerRoot to SHAREDVOL:\NIFDIR.

- 5** Copy the edited HTTPD.CONF file to every iFolder server in the cluster.
- 6** Edit the AUTOEXEC.NCF file on every iFolder server in the cluster and comment out the line that commands iFolder to start by default when you reboot your server. (iFolder will be started by NetWare Cluster Services.)
- 7** Launch ConsoleOne™.
- 8** Browse to your cluster container object.



- 9** Right-click the cluster volume resource and then click Properties > IP Address.
- 10** Verify that the IP address that appears is the one that you have assigned to the cluster-enabled volume.
- 11** Click Load Scripts.
- 12** Add the following commands to the *end* of the existing load scripts:  

```
search add sys:\apache  
search add sys:\apache\ifolder\server  
startiFolder
```
- 13** Click Apply > Unload Script.
- 14** Add the following command to *beginning* of the existing load scripts:  

```
stopifolder
```
- 15** Click Apply.



# 5

## Using Novell iFolder

This chapter covers the following three topics:

- ◆ “Managing Novell iFolder Accounts” on page 27
- ◆ “Using the Server Management Console” on page 28
- ◆ “Optimizing Your iFolder Server” on page 29

### Managing Novell iFolder Accounts

Once Novell® iFolder™ is installed and running, you have access to the following two Web sites:

- ◆ The default iFolder Web site

This site contains the *iFolder Client Quick Start Guide* and other important information about Novell iFolder. It is also where users will download the iFolder client and access their iFolder files via a browser. You can modify this page to fit your company’s internal needs.

To access the default iFolder Web site, enter the IP address or the DNS name of your server into a browser.

- ◆ The Server Management Console

The Server Management Console lets you manage your users’ iFolder accounts. From this site, you perform administrative tasks and manage the activity between the server and the iFolder clients. Access the Server Management Console by opening a browser and entering **https://ifolderserverip/iFolderServer/Admin**.

**IMPORTANT:** The Server Management Console URL is case sensitive.

For more information, see *Using the Server Management Console*.

# Using the Server Management Console

In order to access the iFolder user account information, you must log in to the Server Management Console with your administrative username and password. Once you are logged in, you can view and modify iFolder accounts as well as set specific policies for your iFolder clients and server.

You can perform the following tasks in the Server Management Console:

- ◆ View general server information
- ◆ View LDAP settings
- ◆ View user account information

As an administrator, you can remove a user account, change a user's disk storage quota on the iFolder server, and set specific policies for individual users.

- ◆ View iFolder client connections
- ◆ Configure user policies

You can determine what policies will be applied to the iFolder clients. For example, you can enforce policies so that your iFolder users do not have the option to change them.

You can also hide certain iFolder client options. For example, if you enforce and hide the option to request encryption of the iFolder data, the data will be encrypted and the user will be unaware of the transaction. Things that are hidden do not appear the iFolder client dialog boxes.

- ◆ Configure server policies

You can regulate server behavior, such as how much disk space will be allotted to each iFolder client or how much time will pass before a session times out.

For instructions about specific administrative tasks, see the following:

- ◆ “Removing an iFolder Account” on page 29
- ◆ “Restoring a User's Folder” on page 29
- ◆ “Changing LDAP Settings” on page 29

## Removing an iFolder Account

- 1 Click User Accounts.
- 2 Select the user ID that you want to remove and then click Remove.

## Restoring a User's Folder

If a user wants to recover data from a deleted or corrupted file, you can restore his folder to a secondary iFolder server and from there he can access his files.

- 1 At the Server Management Console, click User Accounts.
- 2 Roll your mouse over the user's ID and look at the ID that appears in the bottom of your browser.
- 3 Restore this folder from a backup tape to a secondary iFolder server that the user can attach to and restore the files.

## Changing LDAP Settings

- 1 For NetWare 5.1, modify the HTTPD\_NW\_ADDITIONS.CONF file located in SYS:Apache\iFolder\Server directory.

For Windows NT 4/2000, go to the registry > HKLM > System > CurrentControlSet > Services > W3SVC > iFolderServer.

## Optimizing Your iFolder Server

You can optimize the performance of your iFolder server in the following ways:

- ♦ Add more RAM to your server.
- ♦ Increase the threads. (This only applies to Apache Web Servers running on NetWare.)

For optimal performance, we recommend one thread per client; however, in terms of scalability, iFolder has been tested up to 25 clients per thread.

- ♦ Change the amount of disk space allotted to your iFolder users. Be careful; allotting large amounts of disk space to users could decrease the iFolder server's performance.

- ◆ Change the default sync delay parameters if you have thousands of users and you need to improve the iFolder server performance.

Current defaults:

- ◆ 5-second delay after file activity
- ◆ 20-second delay after server polling interval

To improve performance, make the following changes:

- ◆ 30-second delay after file activity
- ◆ 1-minute delay after server polling interval