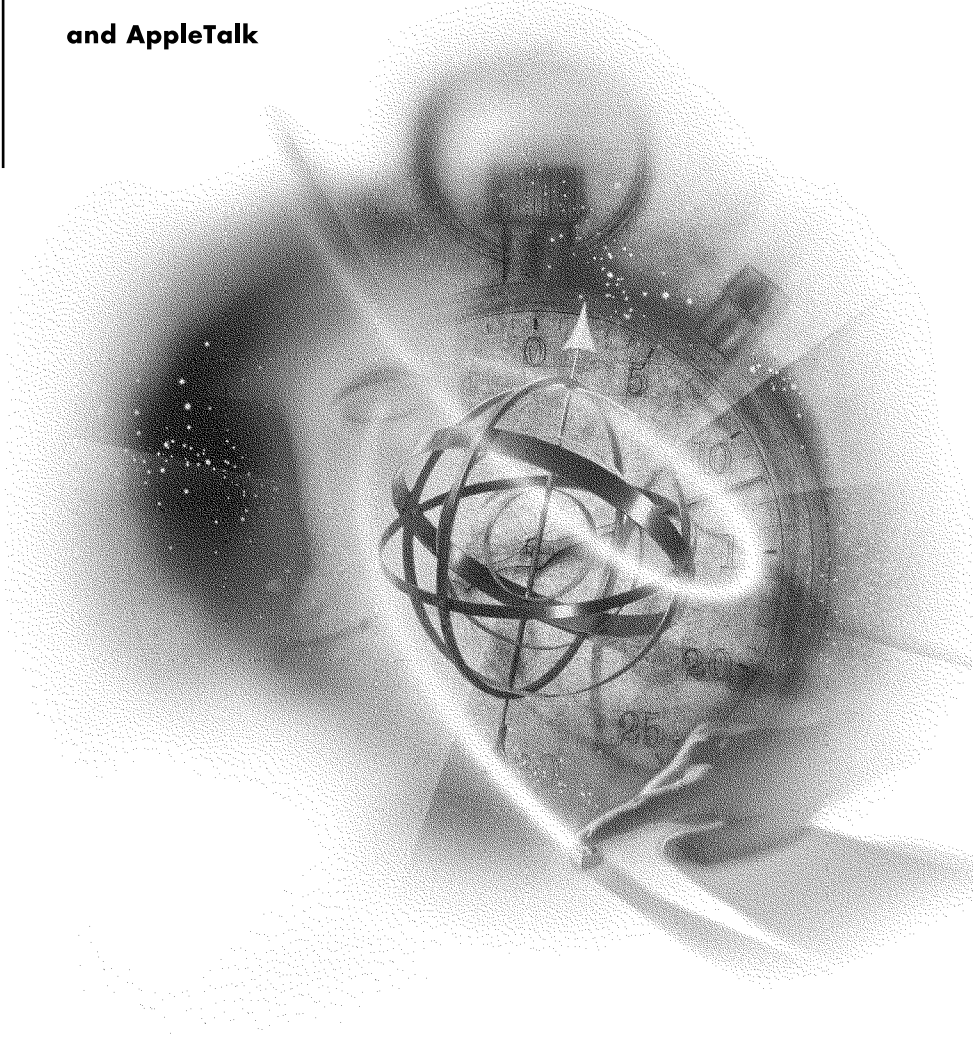


---

**IP Tunnels for IPX**

**and AppleTalk**



**Connectivity Services**

**Novell®**

## Legal Notices

Novell, Inc. makes no representations or warranties with respect to the contents or use of this documentation, and specifically disclaims any express or implied warranties of merchantability or fitness for any particular purpose. Further, Novell, Inc. reserves the right to revise this publication and to make changes to its content, at any time, without obligation to notify any person or entity of such revisions or changes.

Further, Novell, Inc. makes no representations or warranties with respect to any software, and specifically disclaims any express or implied warranties of merchantability or fitness for any particular purpose. Further, Novell, Inc. reserves the right to make changes to any and all parts of Novell software, at any time, without any obligation to notify any person or entity of such changes.

This product may require export authorization from the U.S. Department of Commerce prior to exporting from the U.S. or Canada.

Copyright © 1993-2000 Novell, Inc. All rights reserved. No part of this publication may be reproduced, photocopied, stored on a retrieval system, or transmitted without the express written consent of the publisher.

U.S. Patent Nos. 4,555,775; 5,157,663; 5,349,642; 5,455,932; 5,553,139; 5,553,143; 5,594,863; 5,608,903; 5,633,931; 5,652,854; 5,671,414; 5,677,851; 5,692,129; 5,758,069; 5,758,344; 5,761,499; 5,781,724; 5,781,733; 5,784,560; 5,787,439; 5,818,936; 5,828,882; 5,832,275; 5,832,483; 5,832,487; 5,859,978; 5,870,739; 5,873,079; 5,878,415; 5,884,304; 5,893,118; 5,903,650; 5,905,860; 5,913,025; 5,915,253; 5,925,108; 5,933,503; 5,933,826; 5,946,467; 5,956,718; 5,974,474. U.S. and Foreign Patents Pending.

Novell, Inc.  
122 East 1700 South  
Provo, UT 84606  
U.S.A.

[www.novell.com](http://www.novell.com)

IP Tunnels for IPX and AppleTalk  
January 2000  
104-001252-001

**Online Documentation:** To access the online documentation for this and other Novell products, and to get updates, see [www.novell.com/documentation](http://www.novell.com/documentation).

## **Novell Trademarks**

For a list of Novell trademarks, see the final appendix of this book.

## **Third-Party Trademarks**

All third-party trademarks are the property of their respective owners.



# Contents

<b>1</b>	<b>Setting Up</b> . . . . .	9
	IP Tunneling for IPX . . . . .	9
	The IPRELAY Driver . . . . .	10
	The IPTUNNEL Driver . . . . .	10
	Compatibility Between IPTUNNEL and IPRELAY . . . . .	11
	How to Configure IPRELAY . . . . .	11
	How to Configure IPTUNNEL from NIASCFG . . . . .	12
	How to Configure IPTUNNEL for Multiple Peers . . . . .	13
	IP Tunneling for AppleTalk . . . . .	16
	Tunneling AppleTalk Packets. . . . .	16
	How to Configure AURP . . . . .	18
<b>A</b>	<b>Novell Trademarks</b> . . . . .	21



# About This Guide

This guide provides the information you need to configure and manage the Novell Internet Access Server 4.1 IP tunnels for IPX and AppleTalk.





# 1

## Setting Up

This section describes *IP tunneling*, the method by which two or more AppleTalk or Internetwork Packet Exchange™ (IPX™) networks exchange packets through an IP network.

### IP Tunneling for IPX

IPX uses the Open Data-Link Interface™ (ODI™) interface to pass packets through the IP tunnel. The IP tunnel sends each IPX packet across the TCP/IP network by encapsulating it in a User Datagram Protocol (UDP) packet. The tunnel driver at the destination router removes the UDP header from each incoming packet and passes it through ODI to IPX.

Encapsulating IPX packets in IP packets enables them to go through any TCP/IP supported media, such as Ethernet or token ring.

The TCP/IP network is the *medium*. The IP address is the *immediate address*, which performs the same function in the TCP/IP medium as the media access control (MAC) address performs in the Ethernet medium.

The Novell® Internet Access Server 4.1 routing software provides the following IP tunnel drivers:

- ◆ **IPRELAY** —WAN driver that models the IP internetwork as a collection of point-to-point permanent virtual circuits (PVCs) to tunnel IPX packets.
- ◆ **IPTUNNEL** —LAN driver that models the IP internetwork as a single IPX LAN to tunnel IPX packets.

To configure your router to use an IP tunnel, IP must be loaded and bound to the interfaces you plan to use. The IP tunnel requires local IP addressing information and can fail if IP is not bound to the network interface. For basic IP configuration procedures, refer to [Setting Up](#) in the *TCP/IP* documentation.

This topic contains the following sections:

- ◆ [The IPRELAY Driver](#)
- ◆ [The IPTUNNEL Driver](#)
- ◆ [Compatibility Between IPTUNNEL and IPRELAY](#)
- ◆ [How to Configure IPRELAY](#)
- ◆ [How to Configure IPTUNNEL from NIASCFG](#)
- ◆ [How to Configure IPTUNNEL for Multiple Peers](#)

## The IPRELAY Driver

The IPRELAY driver is a WAN driver that simulates a collection of point-to-point PVCs between routers. Each end point of each connection is an IP address. To establish a connection, only one side of the PVC must be configured. As long as one of the routers is aware of its peers, a connection can be made with those peers. A WAN call destination is created automatically for each IP peer.

## The IPTUNNEL Driver

You can also use the IPTUNNEL driver to enable IPX to use a TCP/IP network to communicate with other IPX nodes. You configure IPTUNNEL from the Novell Internet Access Server Configuration utility (NIASCFG) or from the command line.

The IPTUNNEL driver enables IPX to use a TCP/IP network to communicate with other IPX nodes. The IPTUNNEL driver models the IP internetwork as a single IPX LAN. To IPX, IPTUNNEL performs the same functions as a typical NetWare<sup>®</sup> LAN driver. The TCP/IP network operates as if it were a hardware network, passing packets among the IPX nodes connected to it.

IPTUNNEL is compatible with the Schneider & Koch SK-IPX/IP Gateway, which provides NetWare 2 compatibility. IPTUNNEL also serves workstations using either the Novell IP tunnel workstation driver, a component of the LAN WorkPlace<sup>®</sup> for DOS software, or the Schneider & Koch end node product for DOS.

When configuring the IP tunnel, you supply the IP addresses of other IPX routers that you plan to include in the tunnel. These other IPX routers are known as *peers*. Whenever IPX broadcasts a packet, the IP tunnel duplicates the packet and sends a copy to each peer.

To exchange routing and service information between IPX routers, IPX depends on broadcasting messages to every other NetWare server connected to the medium. However, because broadcast facilities are limited in TCP/IP networks, IPTUNNEL must handle broadcast traffic by duplicating the packet and sending a copy to each peer router.

IPTUNNEL presents a standard ODI driver interface to the NetWare system and handles IPX traffic like any other driver. You load the driver like any other, and then bind IPX to it to instruct IPX to receive and route packets over the TCP/IP network.

**IMPORTANT:** You should configure any connected group of peers so that all servers in the group have the IP addresses of all other servers in the group. Other configurations are possible but not recommended; they frequently create confusing—and often surprising—IPX routing topologies.

## Compatibility Between IPTUNNEL and IPRELAY

IPRELAY is compatible with IPTUNNEL. IPRELAY accepts packets from a LAN set up with IPTUNNEL as long as one of the routers on the LAN is running RIP.

Because IPRELAY allows point-to-point connectivity with the NetWare Link Services Protocol™ (NLSP™) software, NLSP operates more efficiently with IPRELAY than with IPTUNNEL. NLSP operates reliably over point-to-point connections; therefore, it has lower periodic traffic requirements.

Because IPRELAY works like any WAN driver, you can initiate and terminate IPRELAY connections from the Call Manager utility (CALLMGR). You can also use CALLMGR to reestablish lost IPRELAY connections. Additionally, CALLMGR identifies IPRELAY-to-IPTUNNEL connections with a (T) next to the remote peer IP address.

## How to Configure IPRELAY

Before you begin, you must make sure TCP/IP is enabled and bound to the interface.

To configure the IPRELAY tunnel, complete the following steps:

- 1** Load NIASCFG, then select the following parameter path:  
Select Configure NIAS > Protocols and Routing > Protocols > IPX
- 2** Set the Tunnel IPX Through IP parameter to Enabled.
- 3** Select Tunnel Configuration.

- 4 Add remote peers to the tunnel by selecting Remote Peers, then pressing Ins.

The Insert New Remote Peer Address screen is displayed.

- 5 Type the remote peer IP address.

This parameter adds an IP address to the peer list. If this parameter is not set, no peer is added. This is the most important parameter for a router that initiates connections.

- 6 Press Esc to return to the Tunnel Configuration menu.

- 7 If needed, configure the Transport Time parameter.

If workstation connections fail because a server does not respond, increase this parameter. Select any value between 1 and 65535.

**WARNING:** Do not change the User Datagram Protocol (UDP) port number. If the remote peer router is running IPTUNNEL, the local router automatically uses 213, an officially assigned UDP port number for IPX packets. If *both* routers are running IPRELAY, the local router automatically uses 2010. If you enter your own port number, the routers might not be able to communicate over the tunnel.

The UDP Checksum should also not be changed from the default option (Enabled). The UDP checksum improves data reliability.

- 8 Press Esc to return to the Internetworking Configuration menu; save your changes when prompted.

- 9 If you want these changes to take effect immediately, restart the router.

If you want to configure other parameters, do so now, then restart the router when you are finished.

## How to Configure IPTUNNEL from NIASCFG

Before you configure IPTUNNEL, you must make sure that TCP/IP is enabled and bound to the interface.

To configure the IPTUNNEL driver, complete the following steps:

- 1 Load NIASCFG, then select the following parameter path:

Select Configure NIAS > Protocols and Routing > Boards > Press Ins

- 2 Select IPTUNNEL from the list.

The Board Configuration menu is displayed.

- 3 Configure the Board Name parameter.

- 4 Enter a valid address for the Peer IP Address parameter.

If this parameter is not present, no peer is added. This is the most important parameter.

- 5** If needed, enter a value for the Local IP Address parameter.

For IPX routing to work correctly, the IP tunnel must use a single local IP address consistently. The default value is the IP address of the first interface to which TCP/IP was bound.

- 6** Set the UDP Checksum parameter to Yes.

Enabling this parameter improves data reliability.

- 7** If needed, enter a value for the UDP Port parameter.

If you must communicate with nodes using products prior to Schneider & Koch SK-IPX/IP version 1.3, you can use port=59139. Otherwise, use the default value of 213, which is the officially assigned UDP port for IPX packets.

- 8** Press Esc.

The new board appears at the end of the list on the Configured Boards screen.

- 9** Press Esc to return to the Internetworking Configuration menu.

- 10** Configure IPX and bind it to IPTUNNEL.

For information about configuring various IPX functions, refer to Setting Up in the *IPX* documentation. Perform the procedures that apply to your situation.

- 11** Press Esc to return to the Internetworking Configuration menu; save your changes when prompted.

- 12** If you want these changes to take effect immediately, restart the router.

If you want to configure other parameters, do so now, then restart the router when you are finished.

## How to Configure IPTUNNEL for Multiple Peers

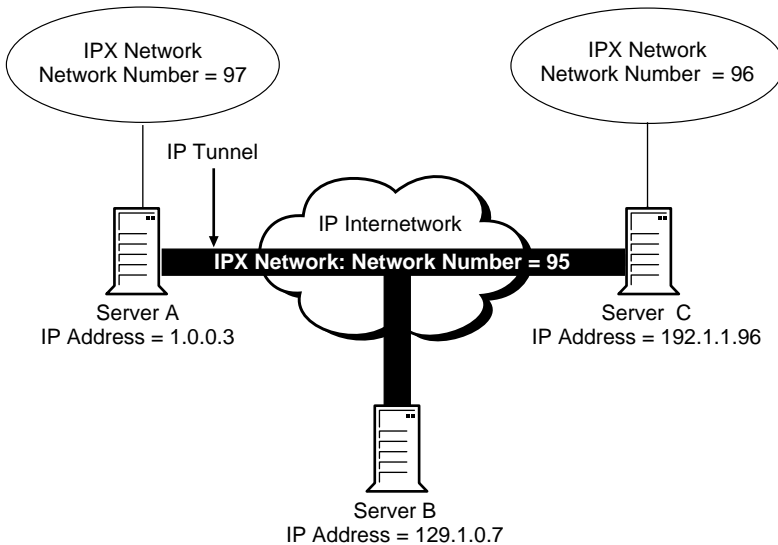
**Figure 1** shows how IPTUNNEL enables three NetWare servers—A, B, and C—to communicate over IPX network 95 as an IP tunnel through an IP internetwork.

**IMPORTANT:** IPTUNNEL duplicates and transmits every IPX broadcast packet in a UDP packet to each remote peer in a peer group. Because this can create a large amount of traffic on the network, you should have no more than 10 peers for any one

node. We recommend that you use IPRELAY with NLSP for situations with more than 10 peers.

To configure IPTUNNEL for multiple peers, you must use LOAD and BIND commands from the command line as described below. The following commands are for the configuration example shown in [Figure 1](#).

**Figure 1** IPTUNNEL Configuration for Three Peers



To configure IPTUNNEL on Server A, you enter the following commands at the Server A console:

```
LOAD IPTUNNEL PEER=129.1.0.7
LOAD IPTUNNEL PEER=192.1.1.96
BIND IPX to IPTUNNEL NET=95
```

The first two commands load IPTUNNEL and add entries on Server A for peer IP addresses 129.1.0.7 (Server B) and 192.1.1.96 (Server C). The third command binds IPX to IPTUNNEL.

To configure IPTUNNEL on Server B, you enter the following commands at the Server B console:

```
LOAD IPTUNNEL PEER=1.0.0.3
LOAD IPTUNNEL PEER=192.1.1.96
BIND IPX to IPTUNNEL NET=95
```

The preceding commands are almost identical to those in the Server A configuration. These commands add entries for peer IP addresses 1.0.0.3 (Server A) and 192.1.1.96 (Server C) and bind IPX to IPTUNNEL.

To configure IPTUNNEL on Server C, you enter the following commands at the Server C console:

```
LOAD IPTUNNEL PEER=1.0.0.3
LOAD IPTUNNEL PEER=129.1.0.7
BIND IPX TO IPTUNNEL NET=95
```

The preceding commands are almost identical to those in the Server B configuration. These commands add entries for peer IP addresses 1.0.0.3 (Server A) and 129.1.0.7 (Server B) and bind IPX to IPTUNNEL.

If needed, you can configure additional parameters with the LOAD IPTUNNEL command using the following format:

```
LOAD IPTUNNEL [PEER=remote IP address ]
[LOCAL=local IP address ] [CHKSUM={YES|NO}]
[PORT=UDP port number ] [SHOW={YES|NO}]
```

The NIASCFG parameters that are equivalent to the PEER , LOCAL , CHKSUM , and PORT parameters are explained in [“How to Configure IPTUNNEL from NIASCFG.”](#)

The PEER parameter is equivalent to the Peer IP Address NIASCFG parameter.

The LOCAL parameter is equivalent to the Local IP Address NIASCFG parameter. If you configure IPTUNNEL from the command line, use the LOCAL parameter only with the first LOAD IPTUNNEL command.

The CHKSUM parameter is equivalent to the UDP Checksum NIASCFG parameter.

The PORT parameter is equivalent to the UDP Port NIASCFG parameter. If you configure IPTUNNEL from the command line, use the PORT parameter only with the first LOAD IPTUNNEL command.

**NOTE:** If you configure IPTUNNEL for multiple peer routers, use the LOCAL and PORT parameters only with the first LOAD IPTUNNEL command.

The SHOW parameter, available only with the command-based configuration, displays an IPTUNNEL configuration summary. If you load IPTUNNEL with SHOW set to YES (the default), the command displays the

local IP address, the UDP port used, the peer list, and whether UDP checksums are enabled.

## IP Tunneling for AppleTalk

The AppleTalk Update-Based Routing Protocol (AURP) provides two features:

- ◆ Tunneling AppleTalk packets through an IP internetwork
- ◆ Exchanging routing information only when a change occurs in network topologies

If you need to connect two sites using a low bandwidth and costly WAN link, using AURP is the more economical way to provide AppleTalk connectivity between the two sites. Because less bandwidth is used to exchange routing information, more bandwidth can be used to carry user data.

To configure AppleTalk to use the IP tunnel, AppleTalk and TCP/IP must be enabled. For more information about configuring IP tunneling for AppleTalk, refer to [Setting Up](#) in the *TCP/IP* documentation and [Setting Up](#) in the *AppleTalk* documentation.

This topic contains the following sections:

- ◆ [Tunneling AppleTalk Packets](#)
- ◆ [How to Configure AURP](#)

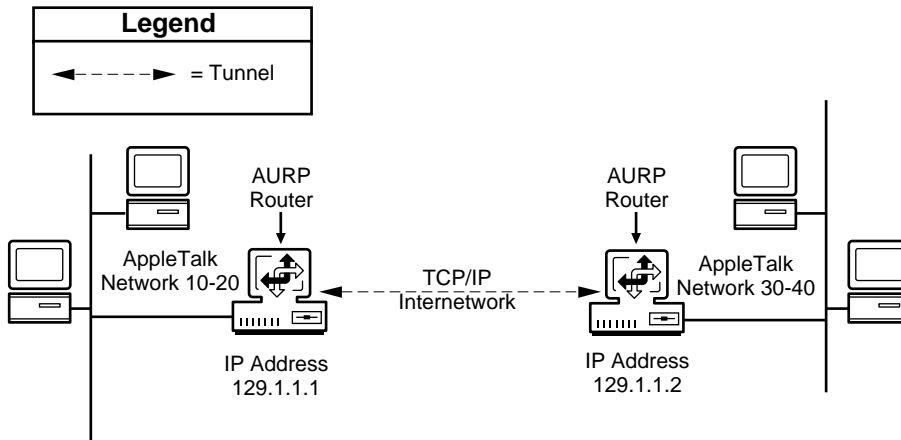
### Tunneling AppleTalk Packets

AppleTalk for NetWare uses AURP to encapsulate AppleTalk packets in IP packets. The forwarding AURP router encapsulates each AppleTalk packet in UDP and forwards it to the next AURP router (using UDP port 387 with checksums). The receiving AURP router removes the UDP and IP headers from the packet, then forwards it, like any other AppleTalk packet, to the destination AppleTalk network. For more information about AURP, refer to [Understanding](#) in the *AppleTalk* documentation.

[Figure 2](#) shows two isolated AppleTalk networks connected by an IP tunnel.



Figure 2 IP Tunnel Connecting Two AppleTalk Networks



When configuring the IP tunnel for AURP, you supply the IP addresses of the AURP routers with which you plan to communicate. Generally, all AURP routers on an IP tunnel can communicate with one another. Each AURP router on a tunnel sends routing information about its local AppleTalk network to each of its peers on the tunnel. Because each AURP router is responsible for distributing its local network routing information, the receiving AURP routers on the tunnel do not need to forward the information to any of their AURP peer routers. This is similar to the operation of IPTUNNEL for IPX.

A *fully connected* tunnel is one in which all AURP routers on the tunnel are aware of and can communicate with one another. On a fully connected tunnel, the same number of routes should be reachable from each AURP router.

A *partially connected* tunnel is one in which not all AURP routers are aware of and can communicate with one another. A partially connected tunnel can provide network-level security. In a partially connected tunnel configuration, the routing tables on the different AURP routers can have different numbers of entries, and not all networks connected to these AURP routers are reachable by one another.

**IMPORTANT:** Partially connected tunnels can also be created accidentally if the router is not configured properly. For example, a network manager might create a partially connected tunnel accidentally by making an error when entering the list of peers with which the router should communicate.

## How to Configure AURP

When you enable AppleTalk, you can use the AppleTalk Configuration menu in NIASCFG to configure AURP to use the IP tunnel.

Before you begin, you must make sure TCP/IP is configured, enabled, and bound to at least one LAN or WAN interface before configuring AURP.

To configure AURP to use the IP tunnel, complete the following steps:

- 1** Load NIASCFG, then select the following path:

Select Configure NIAS > Protocols and Routing > Protocols > AppleTalk

- 2** Enable the Tunnel AppleTalk Through IP (AURP) parameter.

- 3** Select AURP Configuration.

The AURP Configuration menu is displayed.

The UDP Port is always set to 387, and the UDP Checksum is always enabled.

- 4** Enter a value for the Local IP Address parameter.

You select a unique address from a list of addresses with which other routers can establish connections.

- 5** Configure remote peers to which the router can tunnel AppleTalk packets.

- 5a** Select Remote Peers List and do one of the following:

**If you are adding a new remote peer, press** Ins.

**If you are modifying an existing remote peer, select the peer from the list.**

- 5b** Enter a valid address for the Remote IP Address parameter.

- 5c** Select Expert Options and configure the following parameters for each peer: Transmit Timeout, Maximum Transmit Retries, and Last Heard From Timeout Interval.

These parameters apply only to the peer being configured.

- 6** Press Esc until you return to the AURP Configuration menu.

- 7** Select Expert Options.

- 8** Configure the Routing Update Interval parameter.

This parameter applies to both configured and unconfigured peers.

- 9** If you want the router to accept connections from any peers that were not configured in **Step 5**, configure the following Expert Options :
  - 9a** Set the Connections From Unconfigured Peers parameter to Accept.
  - 9b** Configure the Last Heard From Timeout Interval parameter.

This parameter applies to all unconfigured peers.
  - 9c** Check the value of the Routing Update Interval parameter.

Verify that the value set for this parameter in **Step 8** is acceptable for all unconfigured peers (and configured peers).
- 10** Press **Esc** to return to the Internetworking Configuration menu; save your changes when prompted.
- 11** If you want these changes to take effect immediately, restart the router or select Reinitialize System.

**IMPORTANT:** If you make changes to any of the parameters for AURP peers, reinitializing the system will cause all AURP peers connected to the router to disconnect and reconnect.

If you want to configure other parameters, do so now, then restart the router or reinitialize the system when you are finished.

**NOTE:** Do not bind AppleTalk to the interface you want to use as the IP tunnel. AURP uses the interface to which TCP/IP is bound as the IP tunnel. You can, however, bind AppleTalk to other interfaces.





## Novell Trademarks

Access Manager is a registered trademark of Novell, Inc. in the United States and other countries.

Advanced NetWare is a trademark of Novell, Inc.

AlarmPro is a registered trademark of Novell, Inc. in the United States and other countries.

AppNotes is a registered service mark of Novell, Inc. in the United States and other countries.

AppNotes is a registered service mark of Novell, Inc. in the United States and other countries.

AppTester is a registered service mark of Novell, Inc. in the United States and other countries.

BrainShare is a registered service mark of Novell, Inc. in the United States and other countries.

C-Worthy is a trademark of Novell, Inc.

C3PO is a trademark of Novell, Inc.

CBASIC is a registered trademark of Novell, Inc. in the United States and other countries.

Certified NetWare Administrator in Japanese and CNA-J are service marks of Novell, Inc.

Certified NetWare Engineer in Japanese and CNE-J are service marks of Novell, Inc.

Certified NetWare Instructor in Japanese and CNI-J are service marks of Novell, Inc.

Certified Novell Administrator and CNA are service marks of Novell, Inc.

Certified Novell Engineer is a trademark and CNE is a registered service mark of Novell, Inc. in the United States and other countries.

Certified Novell Salesperson is a trademark of Novell, Inc.

Client 32 is a trademark of Novell, Inc.

ConnectView is a registered trademark of Novell, Inc. in the United States and other countries.

Connectware is a registered trademark of Novell, Inc. in the United States and other countries.

Corsair is a registered trademark of Novell, Inc. in the United States and other countries.

CP/Net is a registered trademark of Novell, Inc. in the United States and other countries.

Custom 3rd-Party Object and C3PO are trademarks of Novell, Inc.

DeveloperNet is a registered trademark of Novell, Inc. in the United States and other countries.

Documenter's Workbench is a registered trademark of Novell, Inc. in the United States and other countries.

ElectroText is a trademark of Novell, Inc.

Enterprise Certified Novell Engineer and ECNE are service marks of Novell, Inc.

Envoy is a registered trademark of Novell, Inc. in the United States and other countries.

EtherPort is a registered trademark of Novell, Inc. in the United States and other countries.

EXOS is a trademark of Novell, Inc.

Global MHS is a trademark of Novell, Inc.

Global Network Operations Center and GNOC are service marks of Novell, Inc.

Graphics Environment Manager and GEM are registered trademarks of Novell, Inc. in the United States and other countries.

GroupWise is a registered trademark of Novell, Inc. in the United States and other countries.

GroupWise XTD is a trademark of Novell, Inc.

Hardware Specific Module is a trademark of Novell, Inc.

Hot Fix is a trademark of Novell, Inc.

InForms is a trademark of Novell, Inc.

Instructional Workbench is a registered trademark of Novell, Inc. in the United States and other countries.

Internetwork Packet Exchange and IPX are trademarks of Novell, Inc.

IPX/SPX is a trademark of Novell, Inc.

IPXODI is a trademark of Novell, Inc.

IPXWAN is a trademark of Novell, Inc.

LAN WorkGroup is a trademark of Novell, Inc.

LAN WorkPlace is a registered trademark of Novell, Inc. in the United States and other countries.

LAN WorkShop is a trademark of Novell, Inc.

LANalyzer is a registered trademark of Novell, Inc. in the United States and other countries.

LANalyzer Agent is a trademark of Novell, Inc.

Link Support Layer and LSL are trademarks of Novell, Inc.

MacIPX is a registered trademark of Novell, Inc. in the United States and other countries.

ManageWise is a registered trademark of Novell, Inc. in the United States and other countries.

Media Support Module and MSM are trademarks of Novell, Inc.

Mirrored Server Link and MSL are trademarks of Novell, Inc.

Mobile IPX is a trademark of Novell, Inc.

Multiple Link Interface and MLI are trademarks of Novell, Inc.

Multiple Link Interface Driver and MLID are trademarks of Novell, Inc.

My World is a registered trademark of Novell, Inc. in the United States and other countries.

N-Design is a registered trademark of Novell, Inc. in the United States and other countries.

Natural Language Interface for Help is a trademark of Novell, Inc.

NDS Manager is a trademark of Novell, Inc.

NE/2 is a trademark of Novell, Inc.

NE/2-32 is a trademark of Novell, Inc.

NE/2T is a trademark of Novell, Inc.

NE1000 is a trademark of Novell, Inc.

NE1500T is a trademark of Novell, Inc.

NE2000 is a trademark of Novell, Inc.

NE2000T is a trademark of Novell, Inc.

NE2100 is a trademark of Novell, Inc.

NE3200 is a trademark of Novell, Inc.

NE32HUB is a trademark of Novell, Inc.

NEST Autoroute is a trademark of Novell, Inc.

NetExplorer is a trademark of Novell, Inc.

NetNotes is a registered trademark of Novell, Inc. in the United States and other countries.

NetSync is a trademark of Novell, Inc.

NetWare is a registered trademark of Novell, Inc. in the United States and other countries.

NetWare 3270 CUT Workstation is a trademark of Novell, Inc.

NetWare 3270 LAN Workstation is a trademark of Novell, Inc.

NetWare 386 is a trademark of Novell, Inc.

NetWare Access Server is a trademark of Novell, Inc.

NetWare Access Services is a trademark of Novell, Inc.

NetWare Application Manager is a trademark of Novell, Inc.

NetWare Application Notes is a trademark of Novell, Inc.

NetWare Asynchronous Communication Services and NACS are trademarks of Novell, Inc.

NetWare Asynchronous Services Interface and NASI are trademarks of Novell, Inc.

NetWare Aware is a trademark of Novell, Inc.

NetWare Basic MHS is a trademark of Novell, Inc.

NetWare BranchLink Router is a trademark of Novell, Inc.

NetWare Care is a trademark of Novell, Inc.

NetWare Communication Services Manager is a trademark of Novell, Inc.

NetWare Connect is a registered trademark of Novell, Inc. in the United States.

NetWare Core Protocol and NCP are trademarks of Novell, Inc.

NetWare Distributed Management Services is a trademark of Novell, Inc.

NetWare Document Management Services is a trademark of Novell, Inc.

NetWare DOS Requester and NDR are trademarks of Novell, Inc.

NetWare Enterprise Router is a trademark of Novell, Inc.

NetWare Express is a registered service mark of Novell, Inc. in the United States and other countries.

NetWare Global Messaging and NGM are trademarks of Novell, Inc.

NetWare Global MHS is a trademark of Novell, Inc.

NetWare HostPrint is a registered trademark of Novell, Inc. in the United States.

NetWare IPX Router is a trademark of Novell, Inc.

NetWare LANalyzer Agent is a trademark of Novell, Inc.

NetWare Link Services Protocol and NLSP are trademarks of Novell, Inc.

NetWare Link/ATM is a trademark of Novell, Inc.

NetWare Link/Frame Relay is a trademark of Novell, Inc.



NetWare Link/PPP is a trademark of Novell, Inc.  
NetWare Link/X.25 is a trademark of Novell, Inc.  
NetWare Loadable Module and NLM are trademarks of Novell, Inc.  
NetWare LU6.2 is trademark of Novell, Inc.  
NetWare Management Agent is a trademark of Novell, Inc.  
NetWare Management System and NMS are trademarks of Novell, Inc.  
NetWare Message Handling Service and NetWare MHS are trademarks of Novell, Inc.  
NetWare MHS Mailslots is a registered trademark of Novell, Inc. in the United States and other countries.  
NetWare Mirrored Server Link and NMSL are trademarks of Novell, Inc.  
NetWare Mobile is a trademark of Novell, Inc.  
NetWare Mobile IPX is a trademark of Novell, Inc.  
NetWare MultiProtocol Router and NetWare MPR are trademarks of Novell, Inc.  
NetWare MultiProtocol Router Plus is a trademark of Novell, Inc.  
NetWare Name Service is trademark of Novell, Inc.  
NetWare Navigator is a trademark of Novell, Inc.  
NetWare Peripheral Architecture is a trademark of Novell, Inc.  
NetWare Print Server is a trademark of Novell, Inc.  
NetWare Ready is a trademark of Novell, Inc.  
NetWare Requester is a trademark of Novell, Inc.  
NetWare Runtime is a trademark of Novell, Inc.  
NetWare RX-Net is a trademark of Novell, Inc.  
NetWare SFT is a trademark of Novell, Inc.  
NetWare SFT III is a trademark of Novell, Inc.  
NetWare SNA Gateway is a trademark of Novell, Inc.  
NetWare SNA Links is a trademark of Novell, Inc.  
NetWare SQL is a trademark of Novell, Inc.  
NetWare Storage Management Services and NetWare SMS are trademarks of Novell, Inc.  
NetWare Telephony Services is a trademark of Novell, Inc.  
NetWare Tools is a trademark of Novell, Inc.  
NetWare UAM is a trademark of Novell, Inc.  
NetWare WAN Links is a trademark of Novell, Inc.  
NetWare/IP is a trademark of Novell, Inc.

NetWire is a registered service mark of Novell, Inc. in the United States and other countries.

Network Navigator is a registered trademark of Novell, Inc. in the United States.

Network Navigator - AutoPilot is a registered trademark of Novell, Inc. in the United States and other countries.

Network Navigator - Dispatcher is a registered trademark of Novell, Inc. in the United States and other countries.

Network Support Encyclopedia and NSE are trademarks of Novell, Inc.

Network Support Encyclopedia Professional Volume and NSEPro are trademarks of Novell, Inc.

NetWorld is a registered service mark of Novell, Inc. in the United States and other countries.

Novell is a service mark and a registered trademark of Novell, Inc. in the United States and other countries.

Novell Alliance Partners Program is a collective mark of Novell, Inc.

Novell Application Launcher is a trademark of Novell, Inc.

Novell Authorized CNE is a trademark and service mark of Novell, Inc.

Novell Authorized Education Center and NAEC are service marks of Novell, Inc.

Novell Authorized Partner is a service mark of Novell, Inc.

Novell Authorized Reseller is a service mark of Novell, Inc.

Novell Authorized Service Center and NASC are service marks of Novell, Inc.

Novell BorderManager is a trademark of Novell, Inc.

Novell BorderManager FastCache is a trademark of Novell, Inc.

Novell Client is a trademark of Novell, Inc.

Novell Corporate Symbol is a trademark of Novell, Inc.

Novell Customer Connections is a registered trademark of Novell, Inc. in the United States.

Novell Directory Services and NDS are registered trademarks of Novell, Inc. in the United States and other countries.

Novell Distributed Print Services is a trademark and NDPS is a registered trademark of Novell, Inc. in the United States and other countries.

Novell ElectroText is a trademark of Novell, Inc.

Novell Embedded Systems Technology is a registered trademark and NEST is a trademark of Novell, Inc. in the United States and other countries.

Novell Gold Authorized Reseller is a service mark of Novell, Inc.

Novell Gold Partner is a service mark of Novell, Inc.

Novell Labs is a trademark of Novell, Inc.

Novell N-Design is a registered trademark of Novell, Inc. in the United States and other countries.

Novell NE/2 is a trademark of Novell, Inc.

Novell NE/2-32 is a trademark of Novell, Inc.

Novell NE3200 is a trademark of Novell, Inc.

Novell Network Registry is a service mark of Novell, Inc.

Novell Platinum Partner is a service mark of Novell, Inc.

Novell Press is a trademark of Novell, Inc.

Novell Press Logo (teeth logo) is a registered trademark of Novell, Inc. in the United States and other countries.

Novell Replication Services is a trademark of Novell, Inc.

Novell Research Reports is a trademark of Novell, Inc.

Novell RX-Net/2 is a trademark of Novell, Inc.

Novell Service Partner is a trademark of Novell, Inc.

Novell Storage Services is a trademark of Novell, Inc.

Novell Support Connection is a registered trademark of Novell, Inc. in the United States and other countries.

Novell Technical Services and NTS are service marks of Novell, Inc.

Novell Technology Institute and NTI are registered service marks of Novell, Inc. in the United States and other countries.

Novell Virtual Terminal and NVT are trademarks of Novell, Inc.

Novell Web Server is a trademark of Novell, Inc.

Novell World Wide is a trademark of Novell, Inc.

NSE Online is a service mark of Novell, Inc.

NTR2000 is a trademark of Novell, Inc.

Nutcracker is a registered trademark of Novell, Inc. in the United States and other countries.

OnLAN/LAP is a registered trademark of Novell, Inc. in the United States and other countries.

OnLAN/PC is a registered trademark of Novell, Inc. in the United States and other countries.

Open Data-Link Interface and ODI are trademarks of Novell, Inc.

Open Look is a registered trademark of Novell, Inc. in the United States and other countries.

Open Networking Platform is a registered trademark of Novell, Inc. in the United States and other countries.

Open Socket is a registered trademark of Novell, Inc. in the United States.

Packet Burst is a trademark of Novell, Inc.

PartnerNet is a registered service mark of Novell, Inc. in the United States and other countries.

PC Navigator is a trademark of Novell, Inc.

PCOX is a registered trademark of Novell, Inc. in the United States and other countries.

Perform3 is a trademark of Novell, Inc.

Personal NetWare is a trademark of Novell, Inc.

Pervasive Computing from Novell is a registered trademark of Novell, Inc. in the United States and other countries.

Portable NetWare is a trademark of Novell, Inc.

Presentation Master is a registered trademark of Novell, Inc. in the United States and other countries.

Print Managing Agent is a trademark of Novell, Inc.

Printer Agent is a trademark of Novell, Inc.

QuickFinder is a trademark of Novell, Inc.

Red Box is a trademark of Novell, Inc.

Reference Software is a registered trademark of Novell, Inc. in the United States and other countries.

Remote Console is a trademark of Novell, Inc.

Remote MHS is a trademark of Novell, Inc.

RX-Net is a trademark of Novell, Inc.

RX-Net/2 is a trademark of Novell, Inc.

ScanXpress is a registered trademark of Novell, Inc. in the United States and other countries.

Script Director is a registered trademark of Novell, Inc. in the United States and other countries.

Sequenced Packet Exchange and SPX are trademarks of Novell, Inc.

Service Response System is a trademark of Novell, Inc.

Serving FTP is a trademark of Novell, Inc.

SFT is a trademark of Novell, Inc.

SFT III is a trademark of Novell, Inc.

SoftSolutions is a registered trademark of SoftSolutions Technology Corporation, a wholly owned subsidiary of Novell, Inc.

Software Transformation, Inc. is a registered trademark of Software Transformation, Inc., a wholly owned subsidiary of Novell, Inc.

SPX/IPX is a trademark of Novell, Inc.

StarLink is a registered trademark of Novell, Inc. in the United States and other countries.

Storage Management Services and SMS are trademarks of Novell, Inc.

Technical Support Alliance and TSA are collective marks of Novell, Inc.

The Fastest Way to Find the Right Word is a registered trademark of Novell, Inc. in the United States and other countries.

The Novell Network Symbol is a trademark of Novell, Inc.

Topology Specific Module and TSM are trademarks of Novell, Inc.

Transaction Tracking System and TTS are trademarks of Novell, Inc.

Universal Component System is a registered trademark of Novell, Inc. in the United States and other countries.

Virtual Loadable Module and VLM are trademarks of Novell, Inc.

Writer's Workbench is a registered trademark of Novell, Inc. in the United States and other countries.

Yes, It Runs with NetWare (logo) is a trademark of Novell, Inc.

Yes, NetWare Tested and Approved (logo) is a trademark of Novell, Inc.

ZENworks is a trademark of Novell, Inc.

